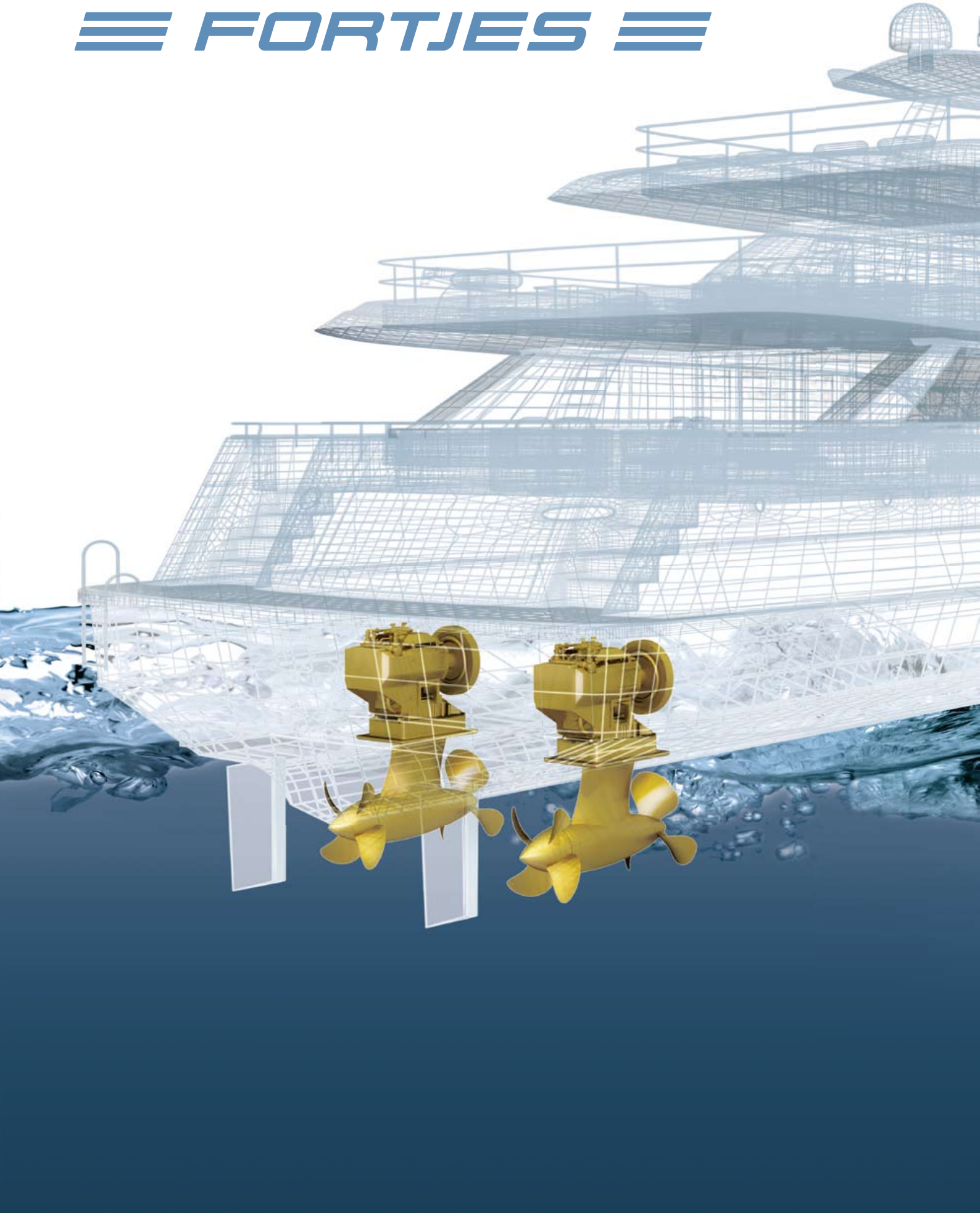


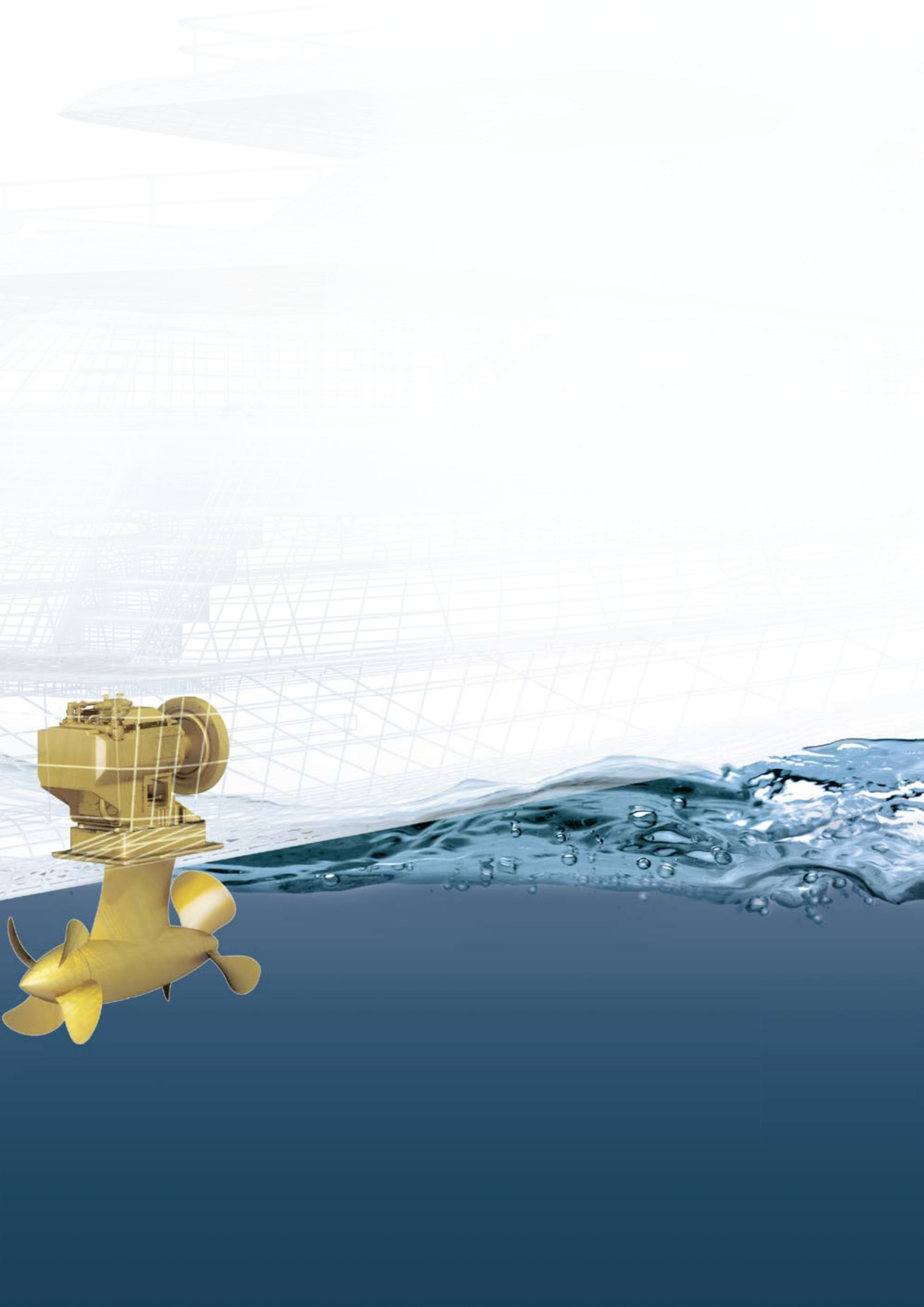
**≡ FORTJES ≡**



# We lead you into a new world of propulsion technology



For more than 80 years REINTJES has equipped all types of vessels with innovative and reliable products. Internationally positioned on all major markets the REINTJES Service as well as authorised partners are able to offer worldwide marine customer support.



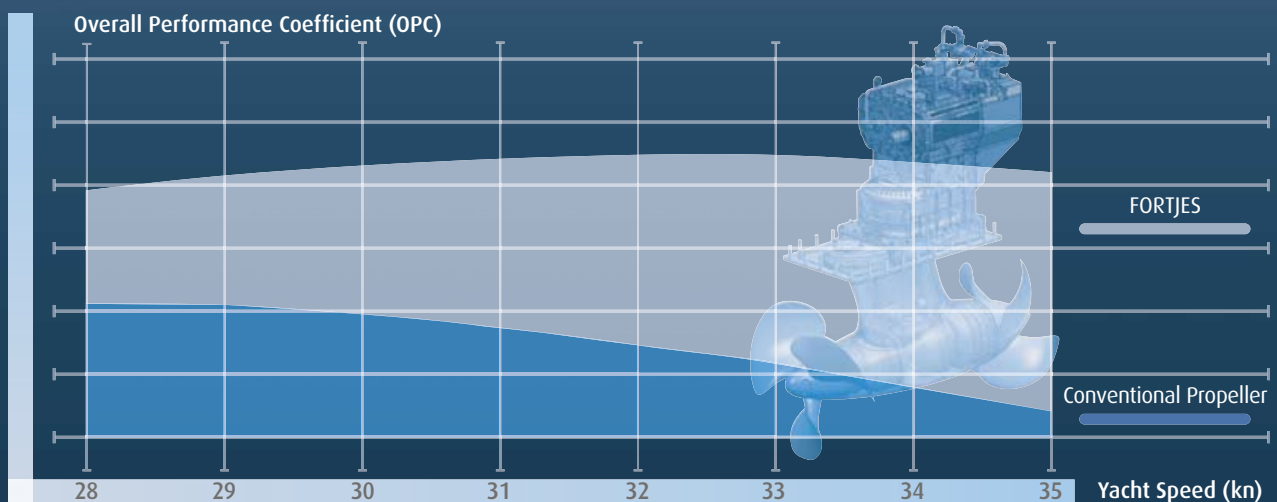
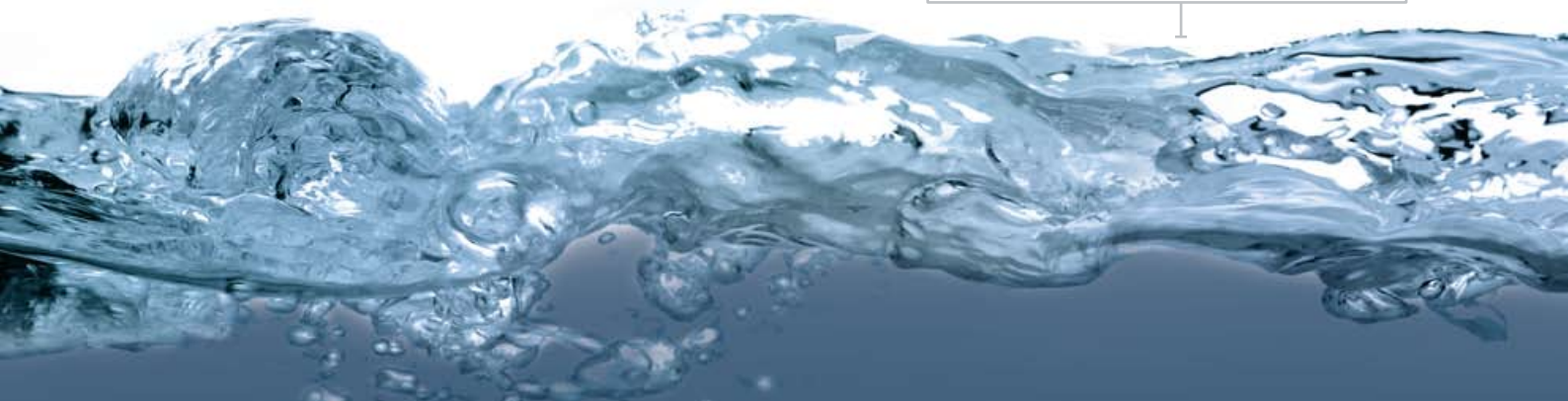
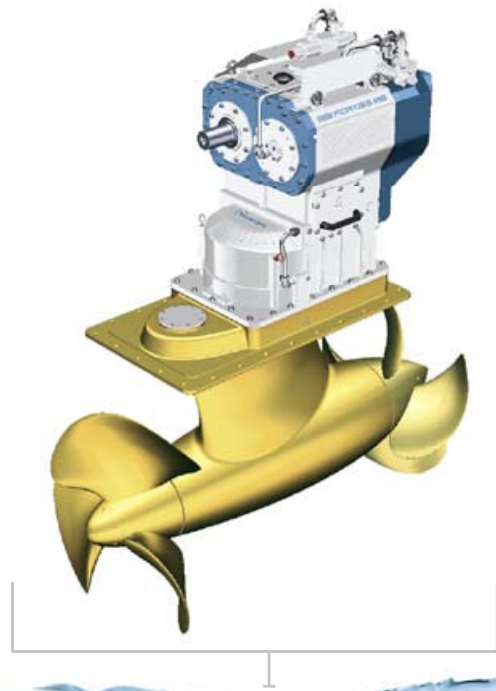
# FORTJES

## The innovation

The new FORTJES propulsion system has been developed to cope with the highest customers' demands and even exceed latest standards of excellence: Increased efficiency, lower emissions and a maximum of comfort in a compact and space saving design – these are only few of the advantages, FORTJES combines!

## Competence & experience in propulsion technology

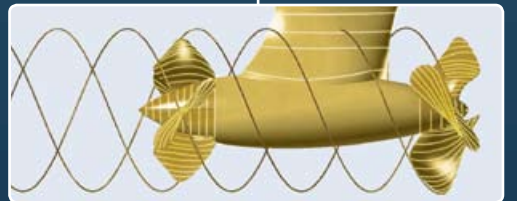
The Counter Rotating Propellers (CRP) Push/Pull system with rigid asymmetrical strut can be used for all yacht designs (from 300 to 3,000 kW). Moreover it offers a free selection of engines and control systems. Of course Power Take Off (PTO) and Power Take In (PTI) solutions can be realised.





## Advantages

- › Optimal hydrodynamics
- › Silence and comfort
- › Excellent handling and manoeuvrability
- › Compact and space saving design
- › Significant weight reduction
- › Exceptionally improved efficiency
- › Easy installation

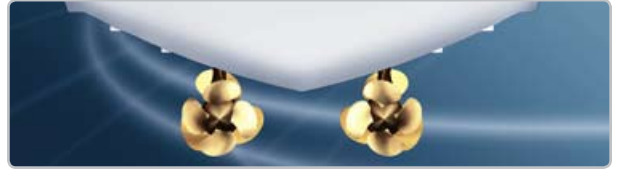




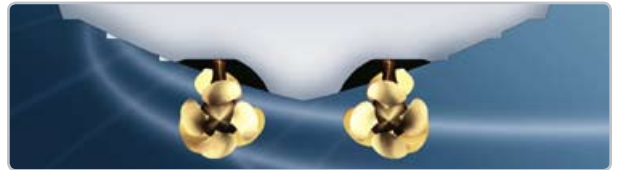
## Special features

- Power Take Off (PTO) and Power Take In (PTI) solutions can be realised
- Class approval and certification
- Suitable for various hull shapes

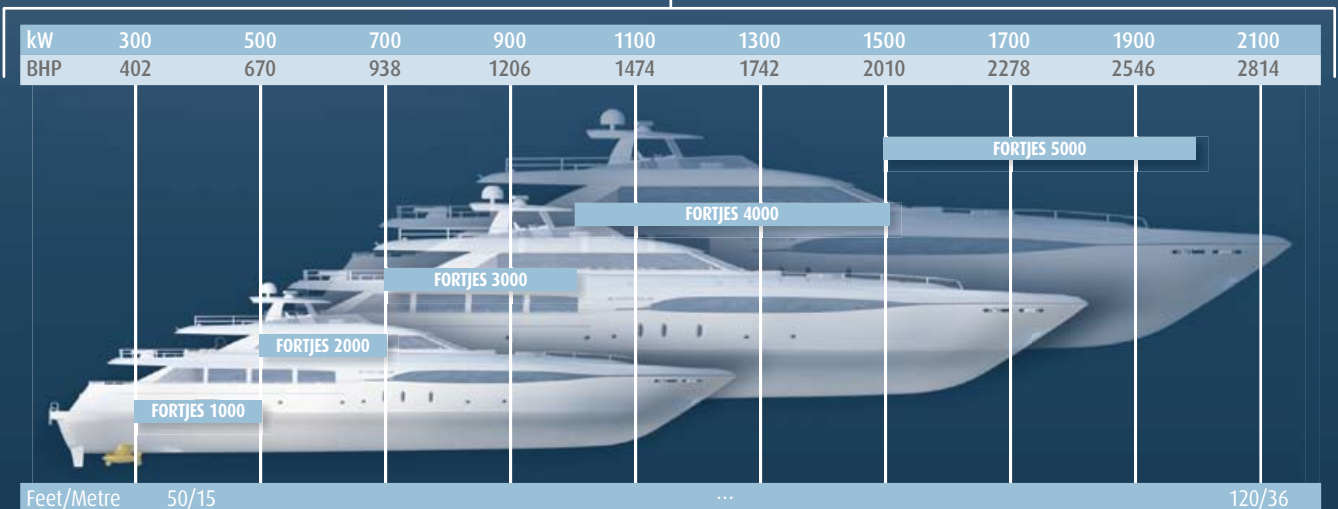
## Installation without...



## and with tunnel

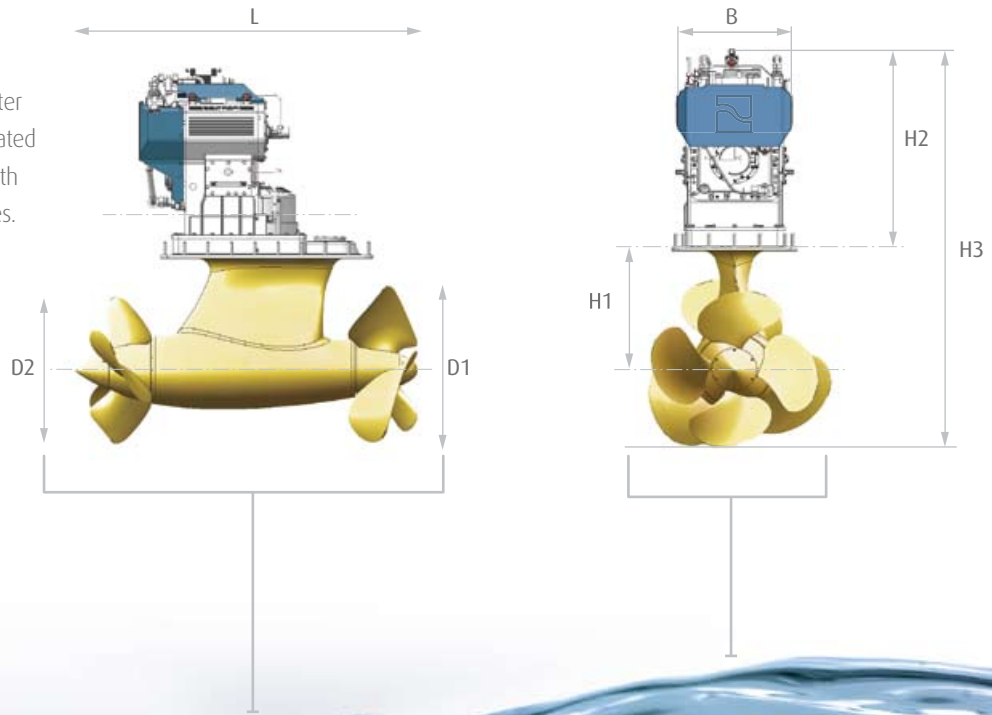


## Engine Rating



## Type

Non-steerable unit with counter rotating propellers and integrated reverse-reduction gearbox with hydraulically operated clutches.



FORTJES		Main dimensions (mm)						
Type	L	B	D1	D2	H1	H2	H3	Effective weight kg <sup>1)</sup>
1000	1450	470	620	540	405	695	1410	995
2000	1490	495	696	608	455	720	1534	1210
3000	1600	540	800	695	520	800	1720	1435
4000	1780	600	920	800	580	950	1985	1670
5000	2045	690	1070	930	642	1200	2350	1930
6000	larger sizes on request							

1) Under consideration of buoyancy | Dimensions and weights not strictly binding



**REINTJES**

REINTJES GmbH  
Eugen-Reintjes-Straße 7  
D-31785 Hameln  
Phone + 49 51 51/104-0  
Telefax + 49 51 51/104-300